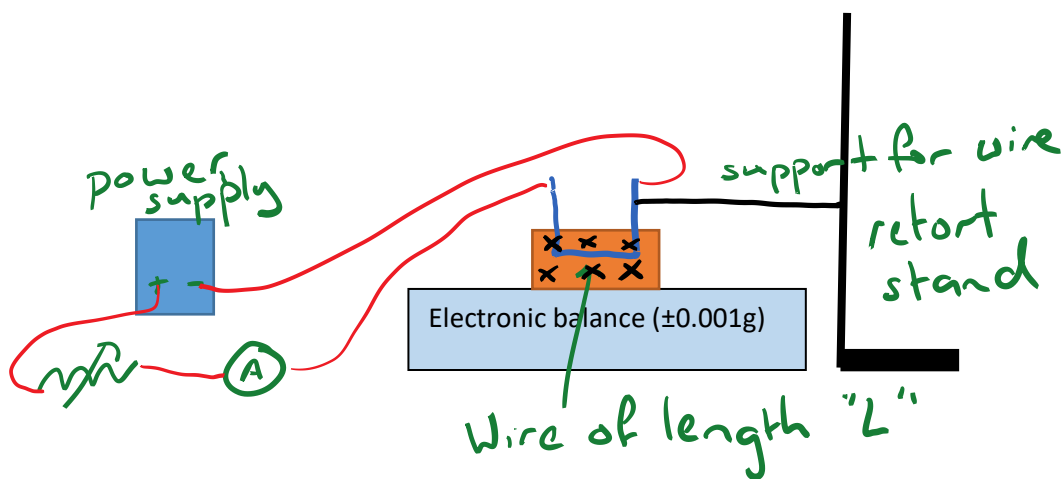


Investigating $F=BIL$

This investigation measures the force on a current carrying wire using a simple home-made set up.

Investigating the effect of changing the length of the wire in the magnetic field and the strength of the magnetic field is less difficult.

The investigation requires large currents and is best carried out with a constant current power supply. A variable resistor used to limit current will require a large power rating.



The force on the current carrying wire is measured by multiplying the reading on the electronic balance by 9.8N/kg . The balance measures the force on the balance by the holder of the magnetic field.